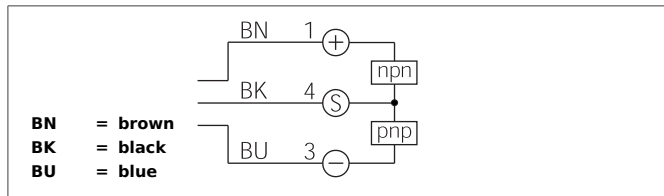


LRT 41 M 2 G3-T3

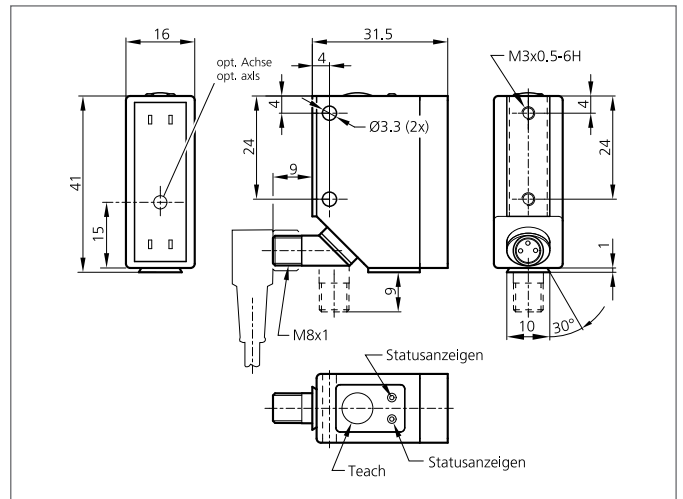
Laser Retroreflective Sensor

- High operating distances with a small design
- Plug, rotatable 270°
- Dovetail groove for secure mounting
- NO/NC changeover by teach button
- Auto and two-point teach procedures
- Auto-collimation principle
- Visible red light with small light spot
- Small metal casing design
- Display for unstable function



Safety instructions

Inproper use may result in hazardous radiation exposure. Pay attention to accident prevention rules and laser class. The instruments are not to be used for safety applications, in particular applications in which safety of persons depends on proper operation of the instruments. These instruments shall exclusively be used by qualified personnel.



TECHNICAL INFORMATION (typ.)		+20°C, 24V DC
Operating principle		Retroreflective sensor
Evaluation		digital
Size		41 x 31,5 x 16 mm (Dimensions)
Design		cuboid design
Emitted light		Red light laser, clocked
Laser class		1 (IEC 60825-1)
Operating distance		2.000 mm
Service voltage		10 ... 30 V DC
Internal power consumption		< 40 mA
Adjustment range		100 ... 2.000 mm
Sensitivity adjustment		Teach key
Referring reflector		RL 13 x 17 mm, (included)
Switching output		Push pull, 200 mA, NO/NC, switchable
Switching hysteresis		< 10 %
Switching frequency		1.000 Hz
Reproducibility		< 1 %
Ambient temperature		0 ... +50 °C
Ambient light immunity		50 kLx
Insulation voltage endurance		500 V
Protection class		IP 67
Protection degree		III, operation on protective low voltage
Casing material		Die-cast zinc black lacquered finish
Material		polymethyl methacrylate (Window)

LRT 41 M 2 G3-T3

Laser Retroreflective Sensor



TECHNICAL INFORMATION (typ.)	+20°C, 24V DC
Connection	Connector, M8, 3-poled
Connecting cable	TK ...